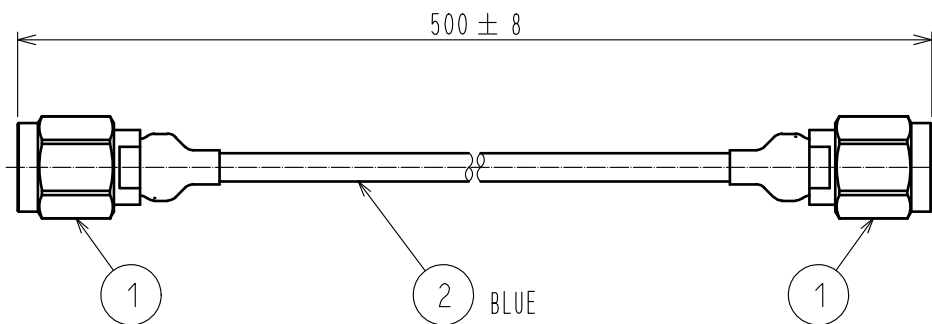
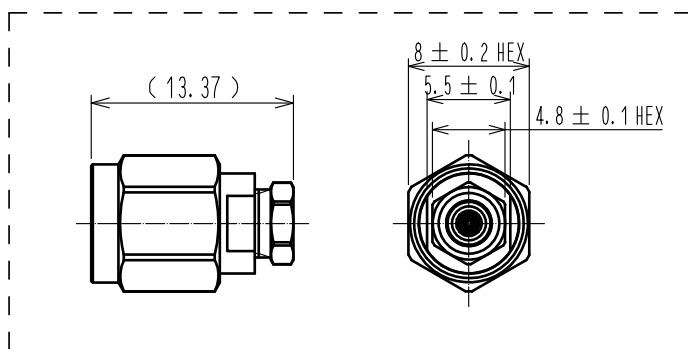


<b>APPLICABLE STANDARD</b>		MIL-STD-348B				
<b>RATING</b>	OPERATING TEMPERATURE RANGE	-55°C TO +105°C(95%RH MAX)	STORAGE TEMPERATURE RANGE	-55°C TO +105°C(95%RH MAX)		
	POWER	—— W	CHARACTERISTIC IMPEDANCE	50 Ω (0 TO 40 GHz)		
	PECULIARITY	——	APPLICABLE CABLE	FCCAF1:NISSEI ELECTRIC CO., LTD.		
<b>SPECIFICATIONS</b>						
ITEM	TEST METHOD		REQUIREMENTS		QT	AT
<b>CONSTRUCTION</b>						
GENERAL EXAMINATION	VISUALLY AND BY MEASURING INSTRUMENT.		ACCORDING TO DRAWING.		×	×
MARKING	CONFIRMED VISUALLY.				—	—
<b>ELECTRIC CHARACTERISTICS</b>						
CONTACT RESISTANCE	100 mA MAX (DC OR 1000 Hz).		CENTER CONTACT	137 mΩ MAX.	×	×
			OUTER CONTACT	24 mΩ MAX.	×	×
INSULATION RESISTANCE	500 V DC.		1000 MΩ MIN.		×	×
VOLTAGE PROOF	500 V AC FOR 1 min.CURRENT LEAKAGE 2mA MAX.		NO FLASHOVER OR BREAKDOWN.		×	×
VOLTAGE STANDING WAVE RATIO	FREQUENCY 0.045 TO 18 GHz.		VSWR	1.15 MAX.	×	—
	FREQUENCY 18 TO 26.5 GHz.		VSWR	1.2 MAX.		
	FREQUENCY 26.5 TO 40 GHz.		VSWR	1.35 MAX.		
INSERTION LOSS	FREQUENCY 0.045 TO 40 GHz.		NO RIPPLE.		—	—
<b>MECHANICAL CHARACTERISTICS</b>						
CABLE CLAMP ROBUSTNESS (AGAINST CABLE PULL)	APPLYING A PULL FORCE THE CABLE AXIALLY AT 40 N MAX.		① NO WITHDRAWAL AND BREAKAGE OF CABLE. ② NO BREAKAGE OF CLAMP.		×	—
COUNT	DESCRIPTION OF REVISIONS		DESIGNED	CHECKED	DATE	
①						
REMARK			APPROVED	KY. SHIMIZU	15.06.24	
RoHS COMPLIANT			CHECKED	KY. SHIMIZU	15.06.24	
			DESIGNED	YI. FUNADA	15.06.23	
Unless otherwise specified, refer to MIL-STD-202.			DRAWN	YI. FUNADA	15.06.23	
Note QT:Qualification Test AT:Assurance Test X:Applicable Test			DRAWING NO.		ELC-362474-02-00	
<b>HRS</b>	SPECIFICATION SHEET		PART NO.	HK-2P-FCCAF1-A-500RS		
	HIROSE ELECTRIC CO., LTD.		CODE NO.	CL321-0007-0-02	△	1/1



【 DIMENSIONS OF CONNECTOR 】



RoHS COMPLIANT

1	HK-P-FCCAF1	CL338-0072-9-00	2	FCCAF1	NISSEI ELECTRIC CO., LTD.			
NO.	PART No.	CL CODE	NO.	PART No.	MANUFACTURER			
UNITS mm		SCALE FREE	COUNT 	DESCRIPTION OF REVISIONS		DESIGNED	CHECKED	DATE
HIROSE ELECTRIC CO., LTD.	APPROVED	: KY. SHIMIZU	15.06.24	DRAWING NO.	EDC-362474-02-00			
	CHECKED	: KY. SHIMIZU	15.06.24	PART NO.	HK-2P-FCCAF1-A-500RS			
	DESIGNED	: YI. FUNADA	15.06.23	CODE NO.	CL321-0007-0-02			
	DRAWN	: YI. FUNADA	15.06.23		1/1			